



Tri Power Unit Bag Installation Instructions



說明

感謝購買Controltech產品。請詳讀此安裝說明書並遵循正確使用方式，若沒有遵從說明書警告事項而導致產品損壞則不再保固範圍內。

保固

從購買日起Controltech提供兩年產品保固。消費者請保留產品保證書或相關的購買證明(如發票或收據)。產品在保固期內有需要維修服務時，煩請提出保證書或相關購買證明。

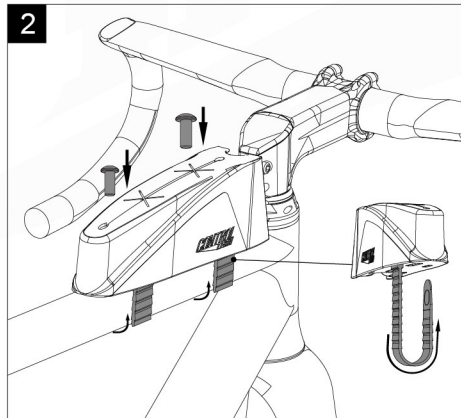
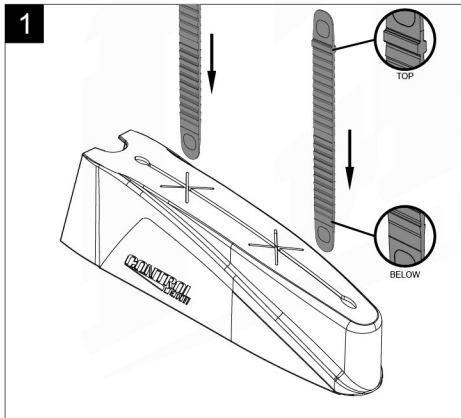
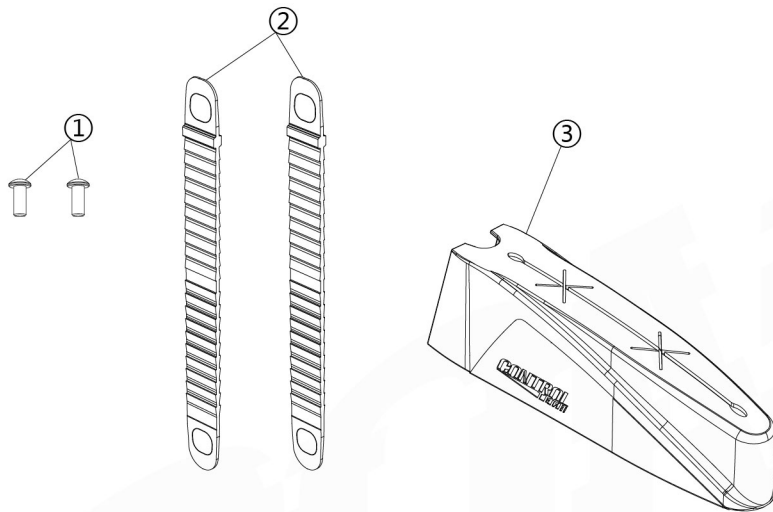
Controltech保固不包括錯誤或惡意之損壞，也不包含跳躍摔倒降落衝擊或其他的碰撞，以及忽視定期保養和錯誤零件組裝。另外，私自改裝、增加或替換產品上的零件，是不包含在保固內。自然的損壞也不包含在保固範圍內。

產品名稱 / 型號

Tri Power Unit Bag / BAG-01

零件名稱

- ① M5螺絲x2。
- ② 矽膠束帶x2。
- ③ 置物盒x1。



安裝說明

1. 將矽膠束帶由上而下穿過置物盒底部槽孔(阻擋端朝上)。
- 擇一安裝
 - 2-1. 將置物盒置放在欲固定上管位置，再把矽膠束帶繞過上管由下而上穿過置物盒底部並束緊。
 - 2-2. 將置物盒置放在欲固定上管位置，再把兩顆螺絲依序鎖固在上管即可。(車架上管需有螺絲孔)
3. M5螺絲鎖固扭力最大值勿超過3Nm。





Tri Power Unit Bag Installation Instructions



Thank you for choosing this Controltech Tri Power Unit Bag. With proper care and installation, it will give you trouble-free, enjoyable use.

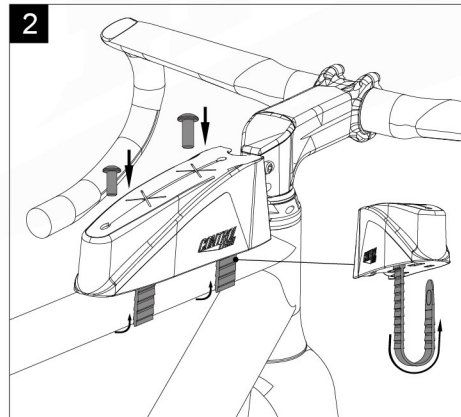
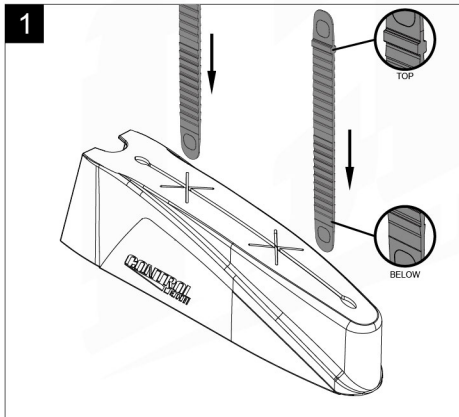
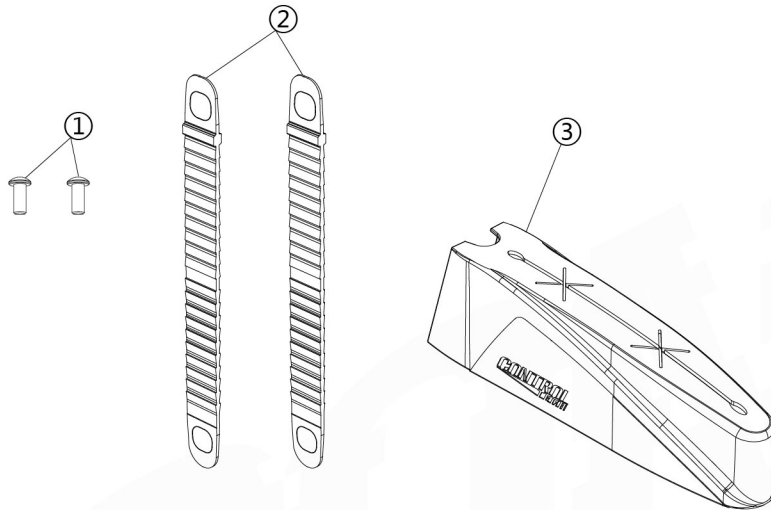
In order to maximize the safe enjoyment of this product, you should read and carefully follow the following installation instructions and warnings. Failure to do so could result in unexpected wear and/or failure, possibly resulting in injury. Please read the following directions and helpful hints when installing your new Controltech Tri Power Unit Bag.

Controltech warrants this product to be free from defects in materials and workmanship for a period of two years from the date of purchase when purchased from an authorized Controltech dealer. This warranty is extended only to the original owner of the product and is not transferable. Proof of purchase is required for any warranty service, so be sure to keep your receipt.

This warranty does not cover cosmetic or structural damage arising from misuse or abuse, including damage caused by crashes, jumping and landing, front end impact, falls or any other collision, owner neglect of regular maintenance, improper installation of parts and accessories. Controltech makes no warranty if modifications, changes, additions or substitutions are made to any components. Wear from normal use or exposure to environmental elements is not covered by this warranty. Controltech makes no warranty against any incidental or consequential damage to bike or parts, or rider injury caused by defects as covered in this warranty.

Model name / Model no.

- ① M5 Bolt x2
- ② Silicone tape x2
- ③ Bag body x1



Tri Power Unit Bag Installation Instructions:

1. Put both silicone straps through the holes under the Unit Bag. (Ⓢ block position to top) **1**
- alternative {
 - 2-1. Fix the unit box on the top tube, then wrap both silicone straps and secure the unit box on the top tube. **2**
 - 2-2. Fix the unit box on the top tube, then screw both bolts provided onto the top tube. (Screw holes are needed on top tube) **2**
3. M5 bolts max torque 3Nm.

